

All 316L stainless steel construction makes this meter suitable for low-flow, high-pressure application.



## DESCRIPTION

### Metering Tube

316L Stainless Steel

### Internal Components

316L Stainless Steel, Hastelloy® C-276

### Inlet/Outlet Fittings

1/4" FNPT, Horizontal; Control Valve Optional

### Fitting Material

316L Stainless Steel

### Connection Type

1/4" FNPT

### Elastomers (valve meters only)

Standard: Viton®

Optional: Buna N, EPR, and Kalrez®

### Case and Side Cover

Die Cast Aluminum

## PERFORMANCE

### Capacities

0.60 to 25 GPH – Water 1 to 120 SCFH – Air

2.4 to 95 LPH – Water 28.3 to 3,400 SLPH – Air

### Scale

60 mm (2") Direct reading

### Accuracy

± 5% of Full Scale Flow

### Turndown

10:1 unless otherwise indicated

### Repeatability

1 %

### Max Temperature

O-ring Material Max Temperature

EPR 300° F (149° C)

Buna N 275° F (135° C)

Viton 350° F (177° C)

Kalrez 400° F (204° C)

No O-ring 400° F (204° C)

### Max Pressure

Valve models — 1,500 psig

Non-valve models — 4,000 psig

### Ambient Temperature

-40° F to 125° F (-40° C to 52° C)

## OPTIONS

### Alarm

Single, Inductive Slot Sensor (see page 50)

### Certified Calibrations

Conform to ISA RP 16.6

### Scales

Can be produced in any volumetric unit

### Rear Mounting Bracket

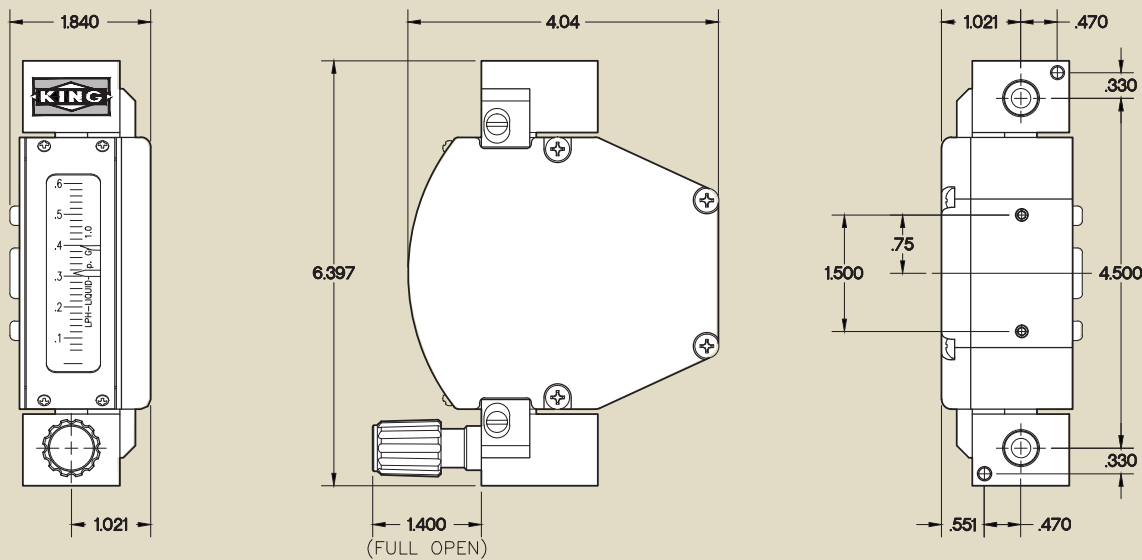
304 Stainless Steel

## SPECIFICATIONS:

Order Number	Full Scale Flow Water GPH	Full Scale Flow Water LPH
02W	.6	2.4
04W	1.2	4.5
06W	2.8	10.5
08W	5.5	20
10W	12	45
12W	25	95

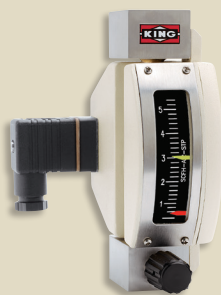
Order Number	Full Scale Flow Air SCFH	Full Scale Flow Air SLPH
00A	1.0	28.3
01A	2.5	70
03A	5.5	155
05A	13	360
07A	24	680
09A	55	1550
11A	120	3400

## DIMENSIONS (INCHES)



① 10 - 32 THREADED PANEL MOUNTING HOLES (2 PLACES)

② 10 - 32 THREADED HOLE FOR INSTALLING THE OPTIONAL BACK MOUNTING BRACKET (2 PLACES)



## ALARM OPTIONS:

### Inductive Slot Sensor

The alarm mechanism in this flowmeter is an inductive slot sensor. It is a 2-wire, DC, low current device. It is designed to be used with a switch isolator/barrier. For more information see page 49.

Note: We can supply switch isolator/barriers upon request. User must provide power supply voltage.

## ORDERING:

Use the following guide to determine the specific product number you require.

Meter Series	Material of Construction	O-ring Material	Scale	Valve Options	Optional Alarm	Order Number
7 1 0	316L SS - 1 HST® C-276 - 2	No O-ring - 0 EPR - 1 Buna-N - 2 Viton® - 3 Kalrez® - 4	Millimeter - 1 GPH Water - 2 LPH Water - 3 SCFH Air@STP - 4 SLPH Air@STP - 5 Non standard - 6	Inlet 316L SS - 1 Outlet 316L SS - 2 No Valve - 3 Inlet HST® C-276 - 4 Outlet HST® C-276 - 5	No Alarm - 0 With Alarm - A	See Specification Table Above

\* The No O-ring option is for non-valve meters only